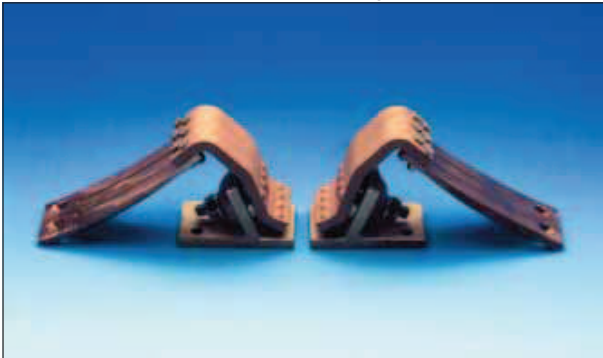
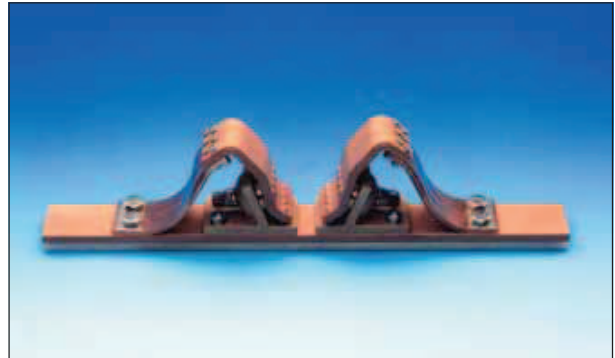


Spring Loaded – Contact Saddles for Round Bolts up to 1500 A

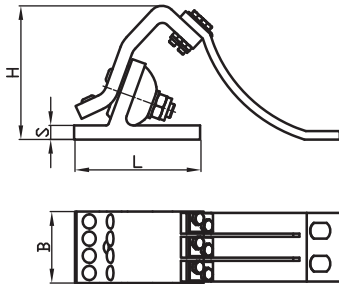
Contact saddles with moveable spring loaded contact surfaces that are stamped with a special profile for better contact. The contact surfaces and foils are made of E-Cu and the actual frame of the contact is made of red bronze. These are especially suitable for use with round contacts having a diameter of 40 to 70 mm. The contact is delivered in two halves. If requested, we can assemble the unit configured to the round contact and fixed on an E-Cu plate with or without insulating plate.



Part No. 51295 2 Piece Standard Version



Special Version: Contact Unit Mounted on E-Cu Plate



Part No.	Max. load	L	Dimensions mm			Weight kg/pair
			B	H	S	
51295	1500 A	90	50	100	10	2,40

Support Saddles for Round Bolts

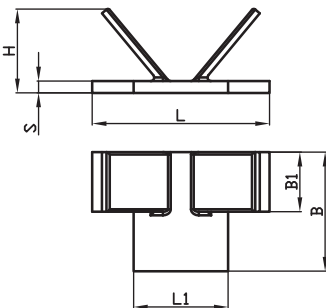
Stable current conducting contacts made of red bronze, optionally with or without connection tab. Part No. 51161 = non-conductible unit made of RCH 500 material. All contacts are suitable for round bolts 20 – 60 mm diameter.



Part No. 51150 / 51155



Part No. 51161

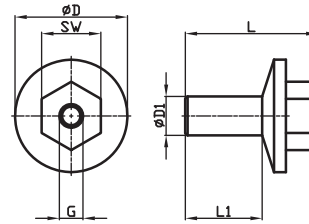
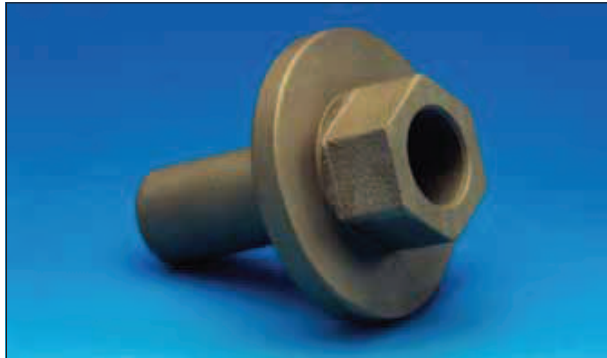


Part No.	max. load	L	Dimensions mm				Weight kg/piece	
			L ₁	B	B ₁	H		
51150	300 A	160	60	105	50	75	8	2,00
51155	300 A	160	-	-	50	75	8	1,70
51161	-	160	-	-	50	75	8	1,10

Note: Part No. 51161 double sided with standard 12 x 24 mm hole, Part No. 51150/55 without drilling.

Round Contacts for Barrel Units

Massive brass contacts. Suitable for use as exchangeable current transfer elements on galvanising barrels. System specific versions built to specifications or drawing are possible.

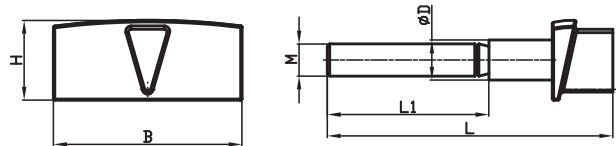


Part No.	Max. load	Dimensions mm					Weight kg/piece
		L	L ₁	D	D ₁	SW	
51170	300 A	115	65	95	33	46	2,20
51185	400 A	130	70	140	40	70	4,30

Note: The thread G is available in M24 or as pipe thread. Please indicate which threading you like when ordering.

V-formed Contacts for Electroplating Barrel Systems

Stable contacts in a V form with different thread lengths. Suitable for contacts 51301/51305. Special versions upon request.

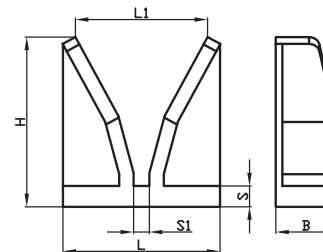


Part No.	Max. load	Dimensions mm					Weight kg/piece
		L	L ₁	B	H	D	
51310	300 A	185	70	140	60	30	1,70
51315	300 A	235	120	140	60	30	1,90

Note: Standard threading M24, others available upon request.

V-formed Support Contacts

Part No. 51301 = current conducting contact made of red brass and suitable for holding a V-formed counter contact 51310 and 51315. Under certain conditions, this can be used for the 10 mm thick rectangular bus-bar. Part No. 51305 = non conducting stable contact made of aluminium alloy.

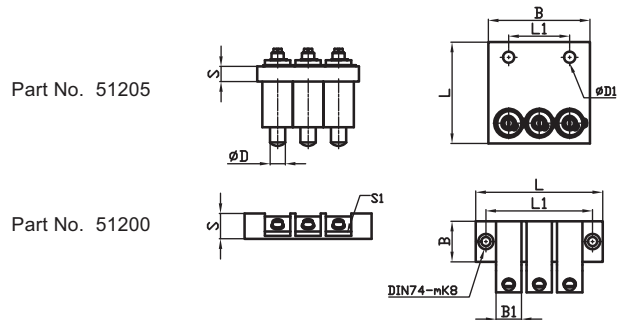


Part No.	Max. load	Dimensions mm						Weight kg/piece
		L	L ₁	B	H	S	S ₁	
51301	300 A	120	105	45	135	15	10	1,90
51305	-	120	105	45	135	15	10	0,70

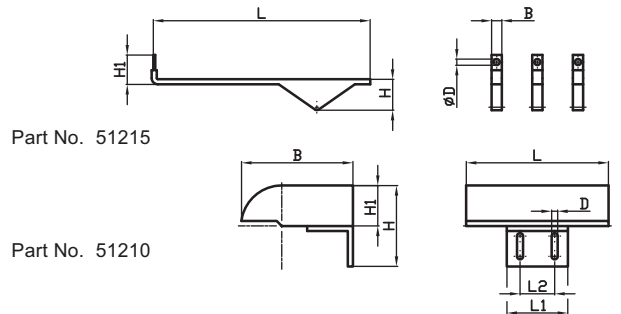
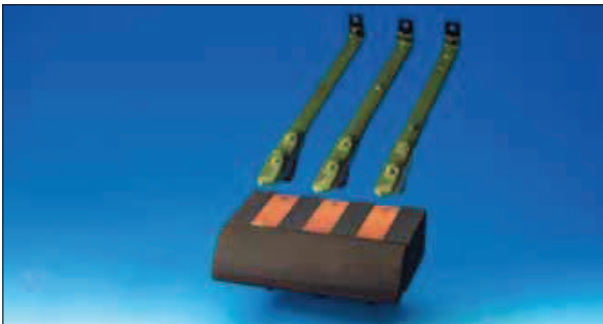
Note: Part No. 51305 double sided with standard 14 x 35 mm drill holes. Part No. 51301 standard without drilling.

Contactors for Barrel Units

Contactor for transferring motor current in galvanising barrel units. The standard version is not screen protected and consists of a lower and an upper piece. Part No. 51205 = upper piece consisting of 3 spring loaded round contacts and the suitable lower piece 51200. Part No. 51215 = 1 set upper piece consisting of 3 loose contact fingers and the respective lower piece 51210. Versions of this with more poles or different measurements depending on your application are also available upon request.



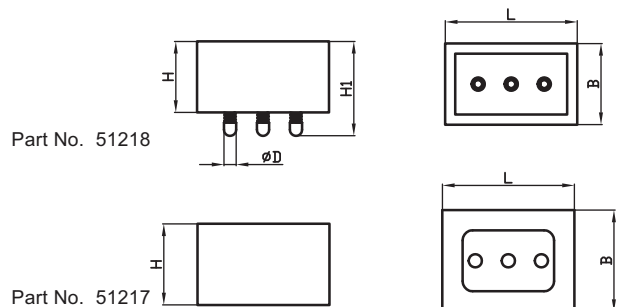
Part No.	Description	L	L ₁	B	Dimensions mm					Weight kg/piece
					B ₁	S	S ₁	D	D ₁	
51200	Lower piece	125	105	40	25	25	5	-	-	0,40
51205	Upper piece	100	60	100	15	15	-	15	11	0,60



Part No.	Description	L	L ₁	L ₂	Dimensions mm					Weight kg/piece
					B	H	H ₁	D		
51210	Lower piece	140	60	30	110	80	40	10	1,20	
51215	Upper piece/Set	210	-	-	10	30	25	5,5	0,40	

Screen Protected Contactors for Barrel Units

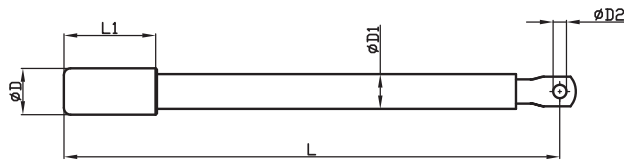
Three phase contacts for transferring motor current in galvanising barrel units. The lower piece of the unit is screen protected in the contact area (IP 20/finger safe). The cable connections are also protected in the housing of the upper and lower pieces. Contact is therefore suitable for 42 V motors as well. If desired, the upper and lower pieces can be equipped with fastening angles.



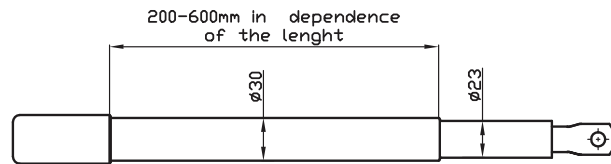
Part No.	Description	L	B	Dimensions mm			Weight kg/piece
				H	H ₁	D	
51217	Lower piece	130	100	80	-	-	1,50
51218	Upper piece	130	80	30	70	12	1,00

Sealed Contact Cables for Electroplating Barrels druseidt System with Solderless Pressed Contact Clamps

Long life liquid impervious contact cables with special flexible PVC based covering. The contact clamps are not soldered, they are solderless pressed with an insulated inner conductor as well as with a special liquid resistant outer covering. No other coverings or protective hoses are required. This prevents items from hanging up on other protective elements. The danger of breaking a cable is reduced and the life span is increased. For galvanising barrels having a little access, we have produced a double-insulated contact cable with a split insulation. If desired, we can provide contact cables with extra heat resistant insulation for applications involving high temperatures, dryers etc. Contact cables with contact clamps or different sized connection elements are also available (e.g. 150 mm²). We can produce a number of special versions inexpensively and at short notice.



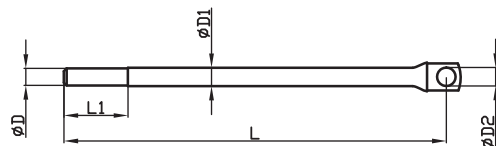
Standard Version



Special Sealed Double Insulated Cable with Split Insulation

Part No. Fe-Tab	Part No. Brass-Tab	Cross section mm ²	Dimensions mm L	L ₁	D	D ₁	D ₂
55003 I	55003 III	70	600	70	35	25	13
55004 I	55004 III		700				
55005 I	55005 III		800				
55006 I	55006 III		900				
55007 I	55007 III		1000				
55008 I	55008 III		1100				
55009 I	55009 III		1200				
55010 I	55010 III		1300				
55023 I	55023 III	95	600	70	35	29	13
55024 I	55024 III		700				
55025 I	55025 III		800				
55026 I	55026 III		900				
55027 I	55027 III		1000				
55028 I	55028 III		1100				
55029 I	55029 III		1200				
55030 I	55030 III		1300				
55040 I	55040 III	120	600	70	35	30	13
55041 I	55041 III		700				
55042 I	55042 III		800				
55043 I	55043 III		900				
55044 I	55044 III		1000				
55045 I	55045 III		1100				
55046 I	55046 III		1200				
55047 I	55047 III		1300				

Contact Cables for Hanging Barrels 6/12 V Transparent, Insulated, with Exchangeable Brass Tab



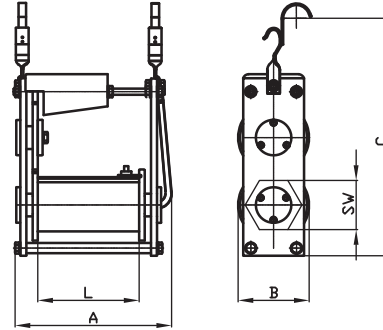
Part No. Brass Tab	Cross section mm ²	Dimensions mm L	L ₁	D	D ₁	D ₂
55058	25	420	45	15	13	13
55060		540				
55062		600				
55064		900				

Note: The standard lengths shown here refer to the hanging barrel galvanising units shown on pages 3/28 to 3/30 of this catalogue. Different lengths are available upon request.

We supply hanging barrel galvanising units as well as single and double barrel units made of plexiglass, polypropylene or PE 500. Various standard sizes, perforations and styles provide you with a large assortment to choose from in order to satisfy your specific application requirements. **All standard variations are provided with contact cables. If desired, we can provide you with rod versions up to a wrench size of 200 mm or washer contacts.** Barrel units or replacement parts such as sprocket gears for example made according to your pattern or drawing are no problem to supply. If you require barrel units which are not included in our standard program, please specify your requirements.

Suspended Galvanising Barrel Units

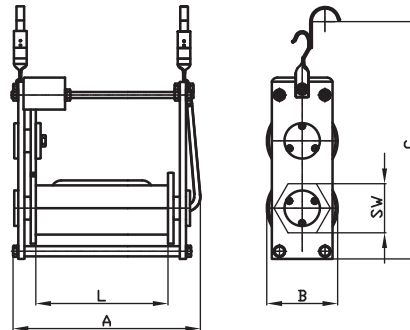
Plexiglass (PL) or Polypropylene (PP)



Part No. Type: PL	Part No. Type: PP	Fill quantity	Dimensions mm					DC-Motor 6-12 V reversible	Weight kg/piece
			L	SW	A	B	C		
34411 PL	34411 PP	1,5 kg	150	100	270	140	440	7,2 Nm	5,0
34412 PL	34412 PP	2,0 kg	200	100	320	140	440	7,2 Nm	5,5
Replacements									
34000 DC replacement motor – Reversible 6-12 V, 7.2 Nm					55058 Replacement contact cable with exchangeable contact tab				
Note: Suitable for small lots of small pieces. Galvanising power is motor power as well. Barrel rotations 10 RPM. Standard Barrels with profiled inner walls. Possible perforations: PL Ø from 1.0 mm / = from 0.5 mm, PP Ø from 1.0 mm / = from 0.5 mm. The standard perforation that we deliver is Ø 2.0 mm. If you require another perforation, please indicate this in the order. Besides the standard version, 12 or 24 Volt DC motors are also available.									

Suspended Galvanising Barrel Units

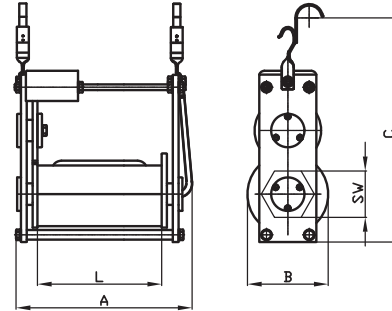
Plexiglass (PL) or Polypropylene (PP)



Part No. Type: PL	Part No. Type: PP	Fill quantity	Dimensions mm					DC-Motor 6-12 V reversible	Weight kg/piece
			L	SW	A	B	C		
34421 PL	34421 PP	6 kg	250	180	400	225	540	7,2 Nm	7,5
34422 PL	34422 PP	7 kg	300	180	450	225	540	7,2 Nm	8
34423 PL	34423 PP	9 kg	350	180	500	225	540	7,2 Nm	8,5
34424 PL	34424 PP	12 kg	450	180	600	225	540	7,2 Nm	8,8
34431 PL	34431 PP	7 kg	250	180	400	225	575	15 Nm	8,8
34432 PL	34432 PP	8 kg	300	180	450	225	575	15 Nm	9
34433 PL	34433 PP	10 kg	350	180	500	225	575	15 Nm	9,2
34434 PL	34434 PP	13 kg	450	180	600	225	575	15 Nm	9,7
Replacements									
34000 DC replacement motor – Reversible 6-12 V/ 7.2 Nm					34002 DC replacement motor – Reversible 6-12 V/ 15 Nm				
55060 Replacement contact cable with exchangeable contact tab									
Note: Suitable for small lots of small pieces. Galvanising power is motor power as well. Barrel rotations 10 RPM. Standard Barrels with profiled inner walls. Possible perforations: PL Ø from 1.0 mm / = from 0.5 mm, PP Ø from 1.0 mm / = from 0.5 mm. The standard perforation that we deliver is Ø 2.0 mm. If you require another perforation, please indicate this in the order. Besides the standard version, 12 or 24 Volt DC motors are also available.									

Suspended Galvanising Barrel Units

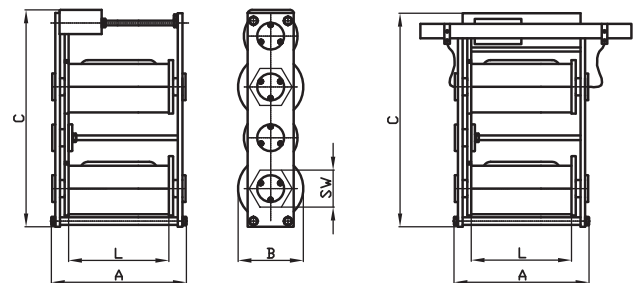
Polypropylene (PP)



Part No.	Fill quantity	Dimensions mm					DC-Motor 6-12 V Reversible	Weight kg/Piece
		L	SW	A	B	C		
34440	1,5 kg	150	100	270	140	140	7,2 Nm	5,0
34441	2 kg	200	100	320	140	140	7,2 Nm	5,5
34442	6 kg	250	145	400	180	515	7,2 Nm	7
34443	7 kg	300	145	450	180	515	7,2 Nm	8
34444	8 kg	250	180	400	225	540	7,2 Nm	7,8
34445	9 kg	300	180	450	225	540	7,2 Nm	8
34446	10 kg	350	180	500	225	540	7,2 Nm	8,6
34447	12,5 kg	450	180	600	225	540	7,2 Nm	9,2
34448	9 kg	250	180	400	225	575	15 Nm	9,1
34449	10 kg	300	180	450	225	575	15 Nm	9,3
34450	12 kg	350	180	500	225	575	15 Nm	9,5
34451	14,5 kg	450	180	600	225	575	15 Nm	10
34452	12 kg	250	200	400	245	575	15 Nm	9,8
34453	13 kg	300	200	450	245	575	15 Nm	10,8
34454	15 kg	350	200	500	245	575	15 Nm	11,7
34455	16 kg	450	200	600	245	575	15 Nm	12,3
Replacements	34000	DC Replacement motor – Reversible 6-12 V/ 7.2 Nm		34002	DC Replacement motor – Reversible 6-12 V/ 15 Nm			
	55060	Replacement contact cable with exchangeable contact tab						
Note: This is suitable for galvanising small parts on a mass basis. Versions with wider lid openings formed sealing covers. The power used for galvanising is the motor power as well. Possible perforations: Ø 1.0 mm / = 0.5 mm. Standard perforation 2.0 mm. If different perforations are required, please indicate your requirements in the order. If desired, 12 and 24 Volt DC motors or versions with perforation blocks Ø 20 mm (Perforation / = 0.2 mm / • 0.4 / 0.8 or 1.0 mm) for improved throughput are also available.								

Double Barrel – Galvanising Units

Plexiglass (PL) or Polypropylene (PP)



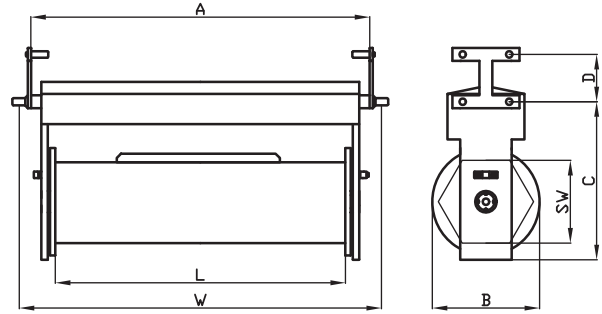
Part No. 34436-37

Part No. 34438-39

Part No. Typ: PL	Part No. Typ: PP	Fill quantity	Dimensions mm					AC-Motor	Weight kg/Piece
			L	SW	A	B	C		
34436 PL	34436 PP	2 x 12 kg	350	180	490	240	950	3 x 42 V	24,0
34437 PL	34437 PP	2 x 16 kg	450	180	590	240	950	3 x 42 V	27,5
34438 PL	34438 PP	2 x 12 kg	350	180	490	250	920	3 x 42 V	23,5
34439 PL	34439 PP	2 x 16 kg	450	180	590	250	920	3 x 42 V	27,0
Replacements	34006	AC Replacement motor 3 x 42 V, 0.12 KW back geared motor				55064	Replacement contact cable lower barrel		
	55060	Replacement contact cable upper barrel							
Note: Suitable for machine systems with direct transfer to the bus-bars. The hanger unit is prepared on the barrel construction. The Barrels have profiled inner walls. Possible perforations: PL Ø from 1.0 mm / = from 0.5 mm., PP Ø from 1.0 mm / = from 0.5 mm. Our standard perforation is Ø 2.0 mm. If you should require different perforations, please specify these in the order.									

Galvanising Barrel Units

Polypropylene (PP)

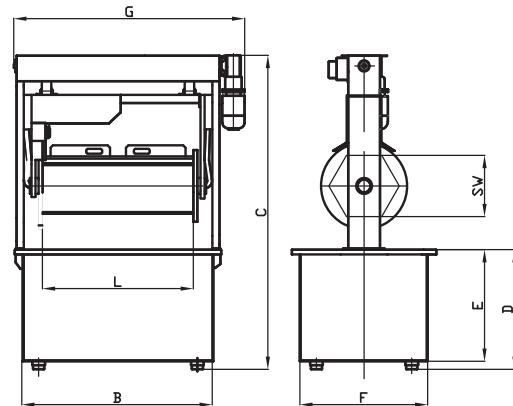


Part No.	Fill quantity	L	SW	Dimensions mm		C	D	DC-Motor 12 V	Weight kg/piece
				A	B				
34460	25 kg	500	220	750	270	500	180	15 Nm	22,0
Replacements									
34404	DC Replacement motor 12 V/15 Nm			55062	Replacement contact cable with exchangeable contact tab				
<p>Note: Galvanising barrel unit is 100% polypropylene. It is suitable for automatic systems. With a 3 point rest 20 mm Ø x 180 mm (spacing), one of which is a support tab for motor current. Barrel revolutions 9 RPM standard. If desired, this unit is available with two barrel speeds at extra cost. Barrel turning during lifting and transport by means of installed transport arm. Possible perforations Ø from 1.5 mm / = from 0.5 mm. Our standard perforations are Ø 2.0 mm. If different perforations are required, please indicate your requirements in the order. If desired a 24 Volt DC motor or perforation blocks for improved throughput are also available.</p>									

Galvanising Barrel Units

With Electrical Motor Lift

Barrel made of PP or PE 500



Part No. Typ PP	Part No. Typ PE 500	Fill quantity	L	SW	B	Dimensions mm				
						C	D	E	F	G
34465 PP	34465 PE	95 kg	1000	300	1200	1950	800	700	800	1500
34466 PP	34466 PE	110 kg	1000	350	1200	1950	800	700	800	1500
<p>Note: Electrolyte tank with approx. 570 l cubic capacity made of plate steel, rubberised inside and out. Barrels with two piece sealing clamps and 3 mm Ø perforation. Anode bar E-Cu 30 x 10 mm. Operation with geared motor 380 V/400 V DS, 0.18 KW. Barrel rotation 7 RPM, rotates when extended as well. Motor lift with nylon belt over shaft made of stainless steel. Electrical connection fuse box is installed with motor protection switch.</p>										



Replacement Barrels

Material: PP or PE 500.

For galvanising, chroming and phosphatising.

We supply replacement barrels made of various materials in lengths up to 1200 mm and with wrench sizes up to 400 mm made according to the plan or drawing from the customer. All barrels can be configured for existing barrel units.

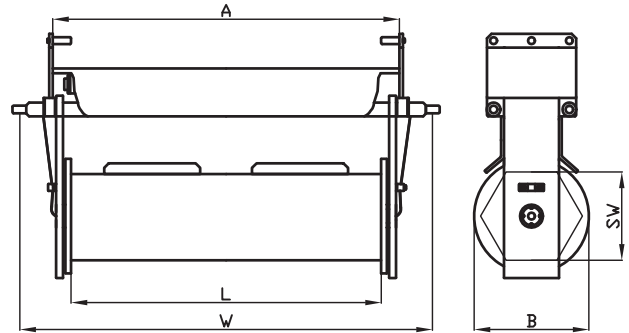
Galvanising Barrel Units

Material: PP or PE 500

As Single or Double Barrel Units

Galvanising barrel aggregate with rubberised steel transport frame (standard) or of stainless steel (special version) and high performance barrels (Smooth opening for faster filling and emptying). The cover comes is optionally one or two pieces with either sealing clamp (standard) or swivel nut (special version). 3 x 42 V DC-Motor 0.18-0.5 KW, Protection to IP 44 with additional acid protection insulation. Transmission by gear-drive with intermediate sprocket gear. Barrel rotation 7 RPM (standard). High current supports with either round bolts, prisms or flat contacts. Transportation elements according to customer demands. Perforation Ø from 1.5 mm / = from 1 mm possible. **Our standard perforation is Ø 3.0 mm.** If different perforation is required, please indicate your requirements in the order. Improved throughput is achieved for the barrel aggregate with another version with corner stabilisers and perforation blocks 40 mm Ø and different perforations. Versions 800/1000 mm long are standard and can normally be delivered at short notice.

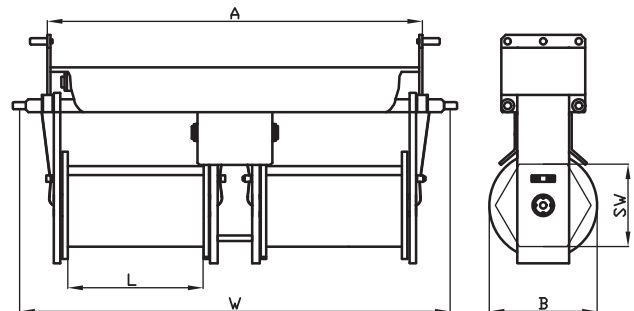
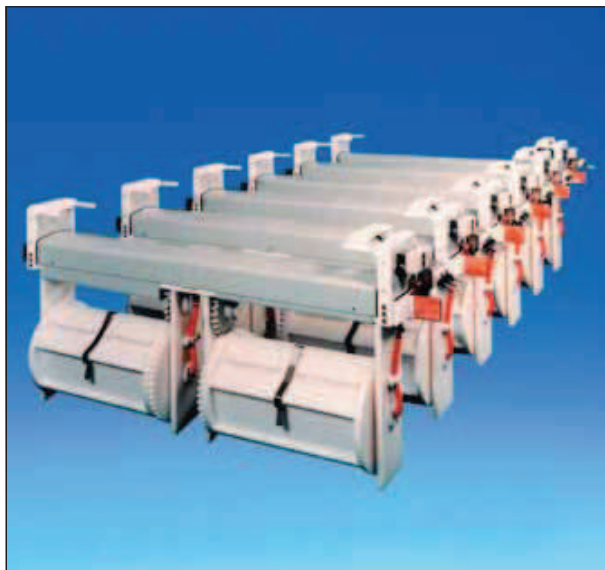
Galvanising Barrel Units Single Barrel Version



Part No. Typ PP	Part No. Typ PE 500	Fill quantity	L	Dimensions mm			
				SW	W	A	B
34741	34743	85 kg	700	300	1000	810	500
34742	34744	90 kg		350			
34751	34754	90 kg	800	300	1100	910	500
34752	34755	100 kg		350			500
34753	34756	100 kg		400			560
34761	34764	90 kg	1000	300	1300	910	500
34762	34765	100 kg		350			500
34763	34766	100 kg		400			560
34771	34774	100 kg	1200	300	1500	1310	500
34772	34775	100 kg		350			500
34773	34776	100 kg		400			560

Note: The C and F measurements can be modified according to customer requirements.

Galvanising Barrel Units Double Barrel Version



Part No. Typ PP	Part No. Typ PE 500	Fill quantity	L	Dimensions mm				
				SW	W	A	G	B
34841	34843	2 x 85 kg	700	300	2200	2020	180	500
34842	34844	2 x 90 kg		350				
34851	34854	2 x 90 kg	800	300	2400	2220	180	500
34852	34855	2 x 100 kg		350				500
34853	34856	2 x 100 kg		400				560
34861	34864	2 x 90 kg	1000	300	2800	2620	180	500
34862	34865	2 x 100 kg		350				500
34863	34866	2 x 100 kg		400				560

Note: The C and F measurements can be modified according to customer requirements.