

DAI630TB2669 Dead Front Arrester Installation Instruction



DISCLAIMER OF WARRANTIES AND LIMITATION OF LIABILITY

The information, recommendations, descriptions and safety notations in this document are based on Eaton Corporation's ("Eaton") experience and judgment and may not cover all contingencies. If further information is required, an Eaton sales office should be consulted. Sale of the product shown in this literature is subject to the terms and conditions outlined in appropriate Eaton selling policies or other contractual agreement between Eaton and the purchaser.

THERE ARE NO UNDERSTANDINGS, AGREEMENTS, WARRANTIES, EXPRESSED OR IMPLIED, INCLUDING WARRANTIES OF FITNESS FOR A PARTICULAR PURPOSE OR MERCHANTABILITY, OTHER THAN THOSE SPECIFICALLY SET OUT IN ANY EXISTING CONTRACT BETWEEN THE PARTIES. ANY SUCH CONTRACT STATES THE ENTIRE OBLIGATION OF EATON. THE CONTENTS OF THIS DOCUMENT SHALL NOT BECOME PART OF OR MODIFY ANY CONTRACT BETWEEN THE PARTIES.

In no event will Eaton be responsible to the purchaser or user in contract, in tort (including negligence), strict liability or other-wise for any special, indirect, incidental or consequential damage or loss whatsoever, including but not limited to damage or loss of use of equipment, plant or power system, cost of capital, loss of power, additional expenses in the use of existing power facilities, or claims against the purchaser or user by its customers resulting from the use of the information, recommendations and descriptions contained herein. The information contained in this manual is subject to change without notice.

Contents

SAFETY INFORMATION

Safety Informationiv
--------------------------	-----

PRODUCT INFORMATION

Introduction	1
--------------------	---

Acceptance and Initial Inspection	1
---	---

INSTALLATION PROCEDURE

Installation Instructions	2
---------------------------------	---



Safety for life



Eaton's Cooper Power Systems products meet or exceed all applicable industry standards relating to product safety. We actively promote safe practices in the use and maintenance of our products through our service literature, instructional training programs, and the continuous efforts of all Eaton's Cooper Power Systems employees involved in product design, manufacture, marketing, and service.

We strongly urge that you always follow all locally approved safety procedures and safety instructions when working around high voltage lines and equipment, and support our "Safety For Life" mission.

Safety for life

The instructions in this manual are not intended as a substitute for proper training or adequate experience in the safe operation of the equipment described. Only competent technicians who are familiar with this equipment should install, operate, and service it.

A competent technician has these qualifications:

- Is thoroughly familiar with these instructions.
- Is trained in industry-accepted high and low-voltage safe operating practices and procedures.
- Is trained and authorized to energize, de-energize, clear, and ground power distribution equipment.
- Is trained in the care and use of protective equipment such as arc flash clothing, safety glasses, face shield, hard hat, rubber gloves, clampstick, hotstick, etc.

Following is important safety information. For safe installation and operation of this equipment, be sure to read and understand all cautions and warnings.

lifeHazard Statement Definitions

This manual may contain four types of hazard statements:

 **WARNING**

Indicates an imminently hazardous situation which, if not avoided, will result in death or serious injury.

 **WARNING**

Indicates a potentially hazardous situation which, if not avoided, could result in death or serious injury.


 **CAUTION**

Indicates a potentially hazardous situation which, if not avoided, may result in minor or moderate injury.


CAUTION: Indicates a potentially hazardous situation which, if not avoided, may result in equipment damage only.

Safety instructions


Following are general caution and warning statements that apply to this equipment. Additional statements, related to specific tasks and procedures, are located throughout the manual.

 **DANGER**


Hazardous voltage. Contact with hazardous voltage will cause death or severe personal injury. Follow all locally approved safety procedures when working around high- and low-voltage lines and equipment. G103.3

 **WARNING**

Before installing, operating, maintaining, or testing this equipment, carefully read and understand the contents of this manual. Improper operation, handling or maintenance can result in death, severe personal injury, and equipment damage. G101.0

 **WARNING**

This equipment is not intended to protect human life. Follow all locally approved procedures and safety practices when installing or operating this equipment. Failure to comply can result in death, severe personal injury and equipment damage. G102.1

 **WARNING**

Power distribution and transmission equipment must be properly selected for the intended application. It must be installed and serviced by competent personnel who have been trained and understand proper safety procedures. These instructions are written for such personnel and are not a substitute for adequate training and experience in safety procedures. Failure to properly select, install or maintain power distribution and transmission equipment can result in death, severe personal injury, and equipment damage. G122.3

Product Information

Installation Instructions

Each Arrester Kit includes parts:

- | | |
|-------------------|-----------------------------|
| 1- Arrester | 2- Grease |
| 1- Rod assembly | 1- Installation instruction |
| 1- Cleaning wiper | |

⚠ WARNING: All associated apparatus must be de-energized during any hands –on installation or maintenance

⚠ CAUTION: The Deadbreak Arrester is designed to be operated in accordance with normal safe operating procedures. These instructions are not intended to supersede or replace existing safety and operating procedures. The Tee connector should be installed and serviced only by personnel familiar with good safety practices and the handling of high-voltage electrical equipment.

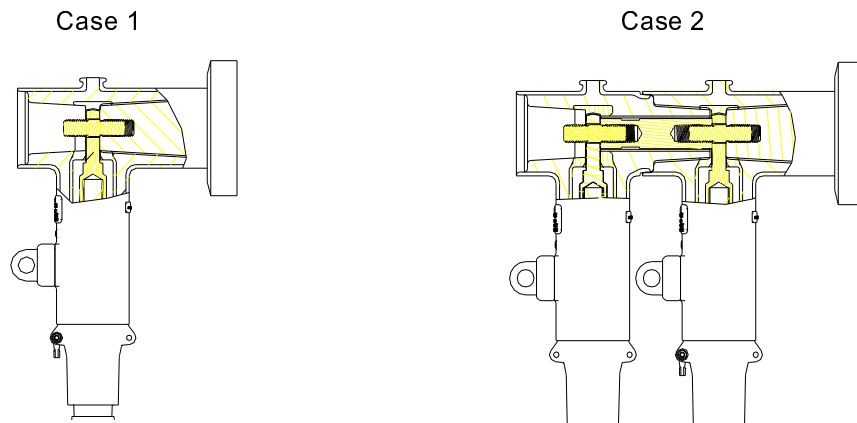
Tools required: 24 mm Open end wrench
22 mm Socket and torque wrench up to 55Nm

⚠ CAUTIONS

1. Use this arrester only with Cooper DTS624/DTB624 Tee connectors;
2. Inspect all parts and insure that every part is present and not damaged;
3. Read this instruction carefully before installation;
4. Prepare the tools and keep all parts clean during installation.
5. When carry the arrester, hold arrester's T-body, don't grasp the grounding wire.

Step 1

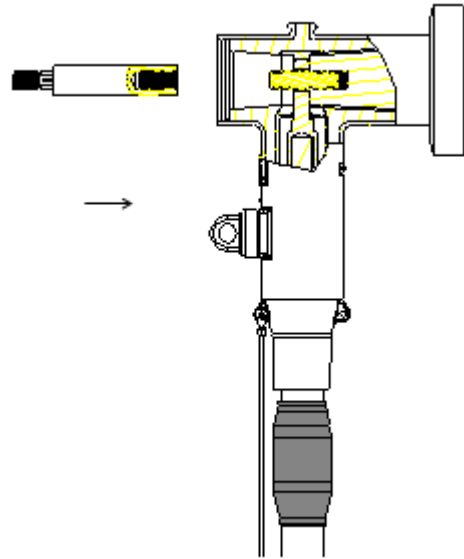
1. Complete Tee connector installation according to DTS624/DTB624 instructions.
2. If DTS624 + DAI630TB2669 (case 1) please refer to Step 2 to Step 6;
If DTS624 + DTB624 + DAI630TB2669 (case 2) please refer to Step 7 to Step 11.



Case 1 DTS624 + DAI630TB2669

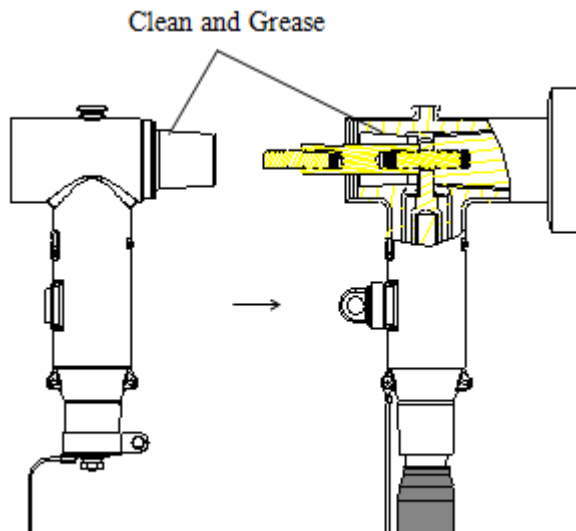
Step 2

1. Insert the rod assembly and engage the threaded stud, tighten the rod assembly with the 24mm wrench to torque of 55Nm.



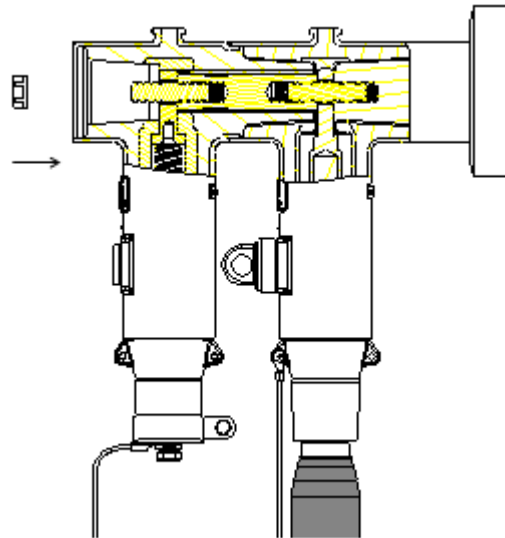
Step 3

1. Clean the bushing interface of arrester and the female interface of Tee connector with cleaning wipers. Wait for cleaning solvent to evaporate. Apply a thin layer of grease to both interfaces;
2. Slide the arrester over the rod assembly and into the Tee connector.



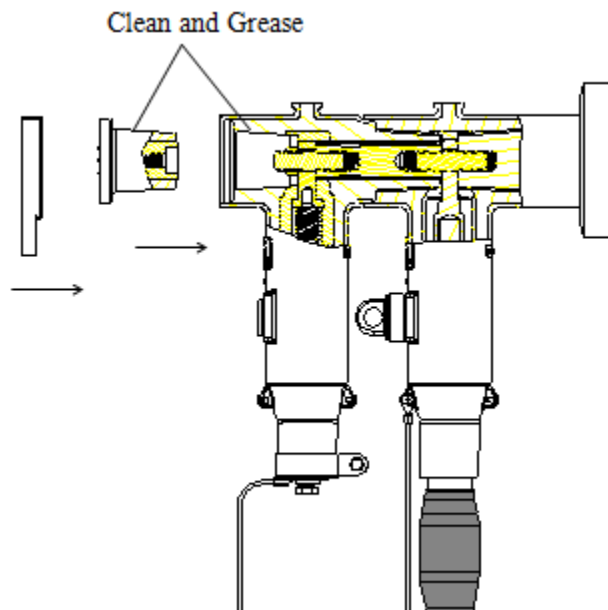
Step 4

1. Put the hex nut onto the rod assembly and tighten to torque of 55 Nm using a torque wrench and 22mm socket.



Step 5

1. Clean the deadend plug and the arrester's female interface with cleaning wipers. Wait for cleaning solvent to evaporate. Apply a thin layer of grease to both interfaces;
2. Insert the deadend plug into the arrester and engage the threads of the threaded stud and tighten to a torque of 40 Nm, using a torque wrench and 22mm socket wrench;
3. Clean the interior surface of rubber cap;
4. Place it over the deadend plug and push it until it snaps into place.

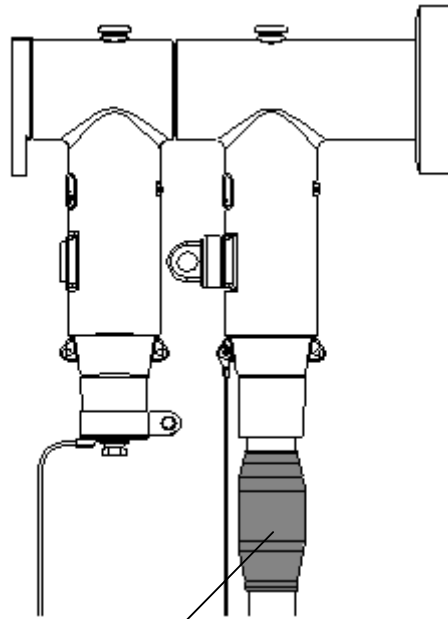


Step 6

1. Connect the grounding wires of arrester as well as ground braid of Tee connector to the system ground according to standard practice.
2. Clamp the cable under wrapped tape of Tee connector.

⚠ CAUTION

The apparatus bushing and tee connector should not support the weight of the cable. Clamp the cable immediately below wrapped tape of Tee connector.

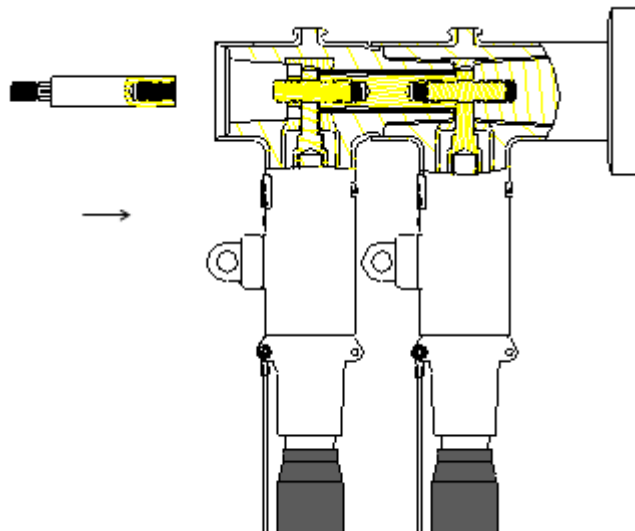


Clamp the cable immediately below wrapped tape of Tee connector

Case 2 DTS624 + DTB624 + DAI630TB2669

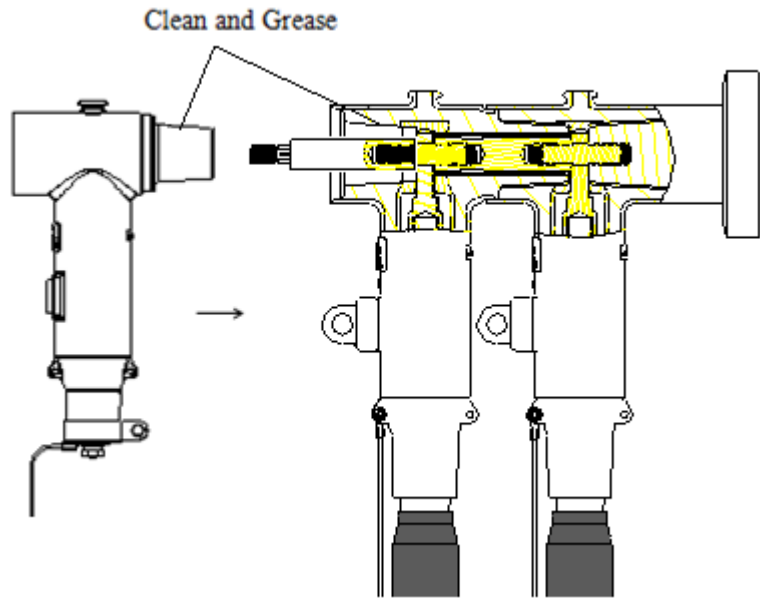
Step 7

1. Insert the rod assembly and engage the threaded stud, tighten the rod assembly with the 24mm wrench to torque of 55Nm.



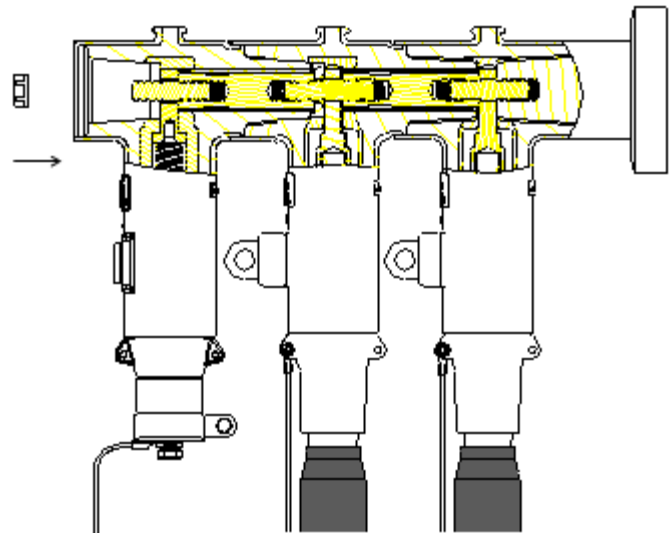
Step 8

1. Clean the bushing interface of arrester and the female interface of Tee connector with cleaning wipers. Wait for cleaning solvent to evaporate. Apply a thin layer of grease to both interfaces;
2. Slide the arrester over the rod assembly and into the Tee connector.



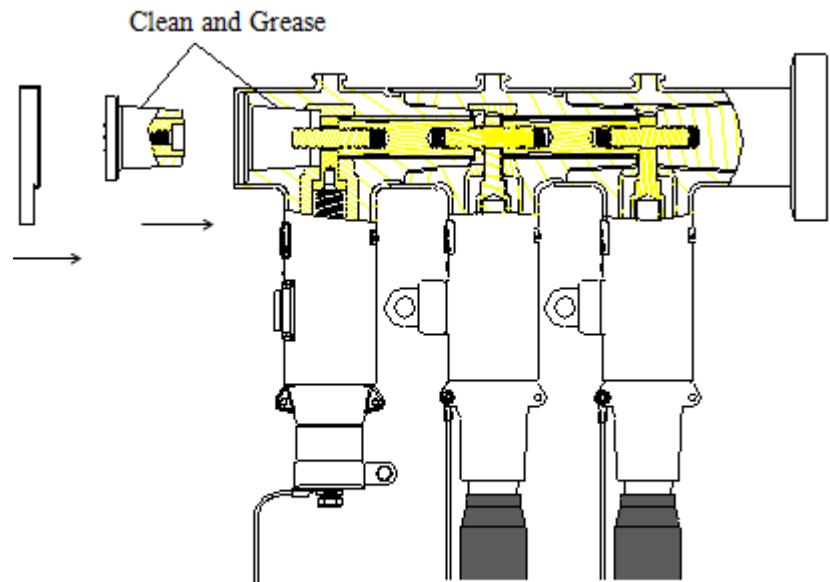
Step 9

1. Put the hex nut onto the rod assembly and tighten to torque of 55 Nm using a torque wrench and 22mm socket.



Step 10

1. Clean the deadend plug and the arrester's female interface with cleaning wipers. Wait for cleaning solvent to evaporate. Apply a thin layer of grease to both interfaces;
2. Insert the deadend plug into the arrester and engage the threads of the threaded stud and tighten to a torque of 40 Nm, using a torque wrench and 22mm socket wrench;
3. Clean the interior surface of rubber cap;
4. Place it over the deadend plug and push it until it snaps into place.

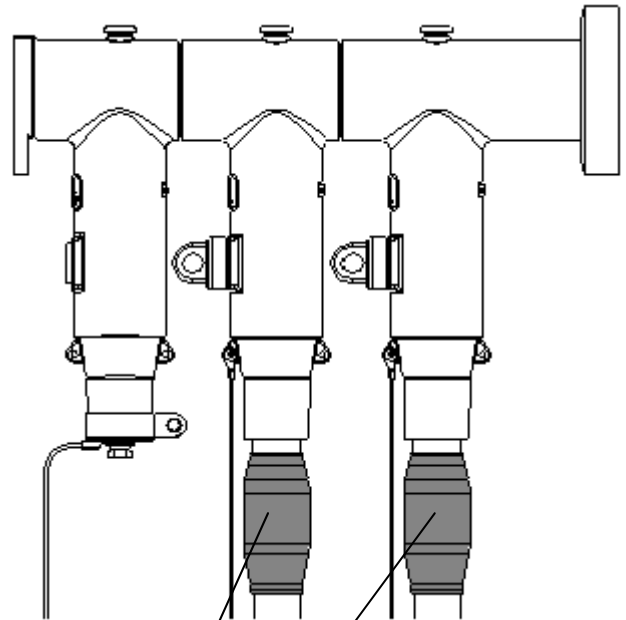


Step 11

1. Connect the grounding wires of arrester as well as ground braid of Tee connector to the system ground according to standard practice.
2. Clamp the cable under wrapped tape of Tee connector.

⚠ CAUTION

The apparatus bushing and tee connector should not support the weight of the cable. Clamp the cable immediately below wrapped tape of Tee connector.



Clamp the cable immediately below wrapped tape of Tee connector

Eaton's Cooper Power Systems Division

No.955 Sheng Li Road, East Area of
Zhangjiang High-Tech Park, Shanghai,
China 201201
Tel: 86-21-28993600
Fax: 86-21-28994254



©2015 Eaton
All Rights Reserved
Made in China
Publication No: 222000101
November 2015

For Eaton Cooper Power Series product
information, call or visit 1-877-277-4636
or www.eaton.com/cooperpowerseries